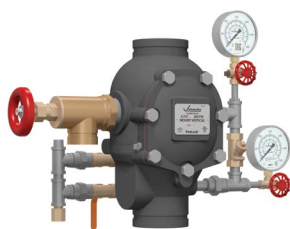


FireLock™ Alarm Check Valve

Series 751



Series 751



Series 751 European Trim

1.0 PRODUCT DESCRIPTION

Available Sizes

- 1 ½ – 8" / 40 – 200 mm

Pressure Class

- 1 ½ – 6" / 40 – 152.4 mm 300 psi / 2068 kPa / 20 Bar
- 8" / 200 mm 232 psi / 1600 kPa / 16 bar. See section 5.0

Valve Configurations

- Bare
- Pre-trimmed
- Vic-Quick Riser: Pre-trimmed and includes:
 - Shut Off Valve (1 ½" / 40 mm: Series 728 Ball Valve, 2" – 8" / 50 – 200 mm: Series 705 *FireLock* Butterfly Valve)
 - Drain Connection kit
 - Alarm Pressure Switch(s)
- Fire-Pac Series 745 (refer to Victaulic [publication 30.23](#))

Pipe Preparation

- Victaulic Original Groove System

Application/Media

- For use on fire protection systems only.

2.0 CERTIFICATION/LISTINGS



104e/01



2831



3.0 SPECIFICATIONS – MATERIAL

Bill of Materials: Base Valve

Body: Ductile iron, ASTM A-536 Grade 65-45-12

Clapper: Aluminum bronze UNS-C95500

Shaft: Stainless steel 17-4PH

Clapper Seal: EPDM

Seat O-Rings: Nitrile

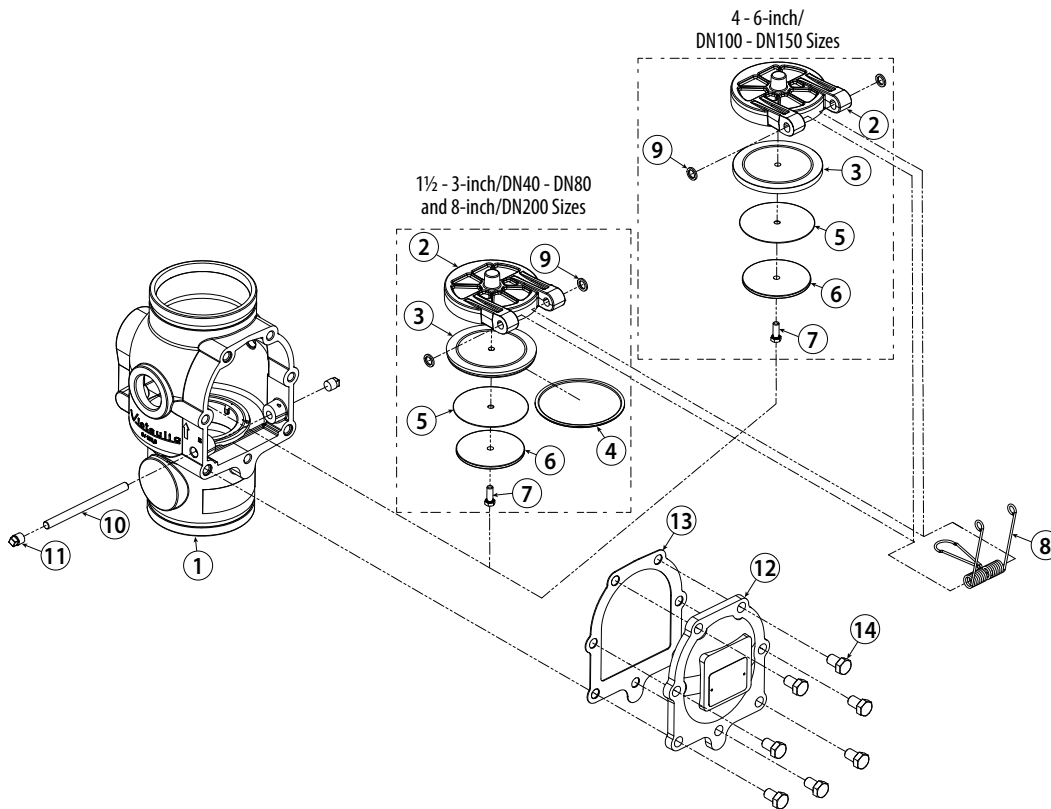
Clapper Spring: Stainless steel (302 Series)

Washers: PTFE

Cover Plate Bolts: Carbon steel, zinc plated

Cover Plate Gasket: Nitrile

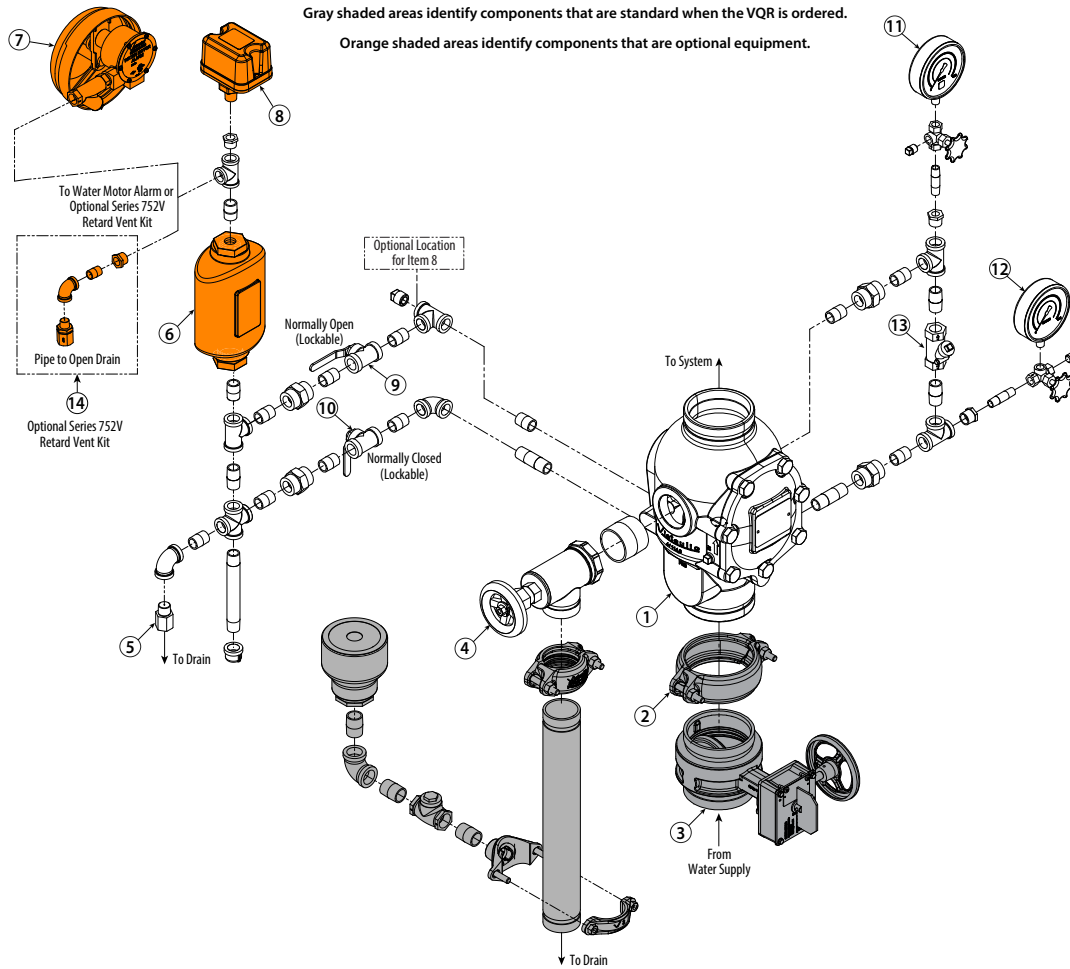
Seal Plate: Aluminum Bronze (UNS-C95400)



Item	Description	Item	Description
1	Valve Body	8	Clapper Spring
2	Clapper	9	Washer
3	Clapper Seal	10	Shaft
4	Seal Ring	11	Clapper Shaft Retaining Plug
5	Seal Washer	12	Cover Plate
6	Seal Plate	13	Cover Plate Gasket
7	Screw, Self Sealing	14	Cover Plate Bolts

3.1 SPECIFICATIONS – MATERIAL

Standard Trim: cULus, FM, CCC version
 Series 751 *FireLock* Alarm Check Valve



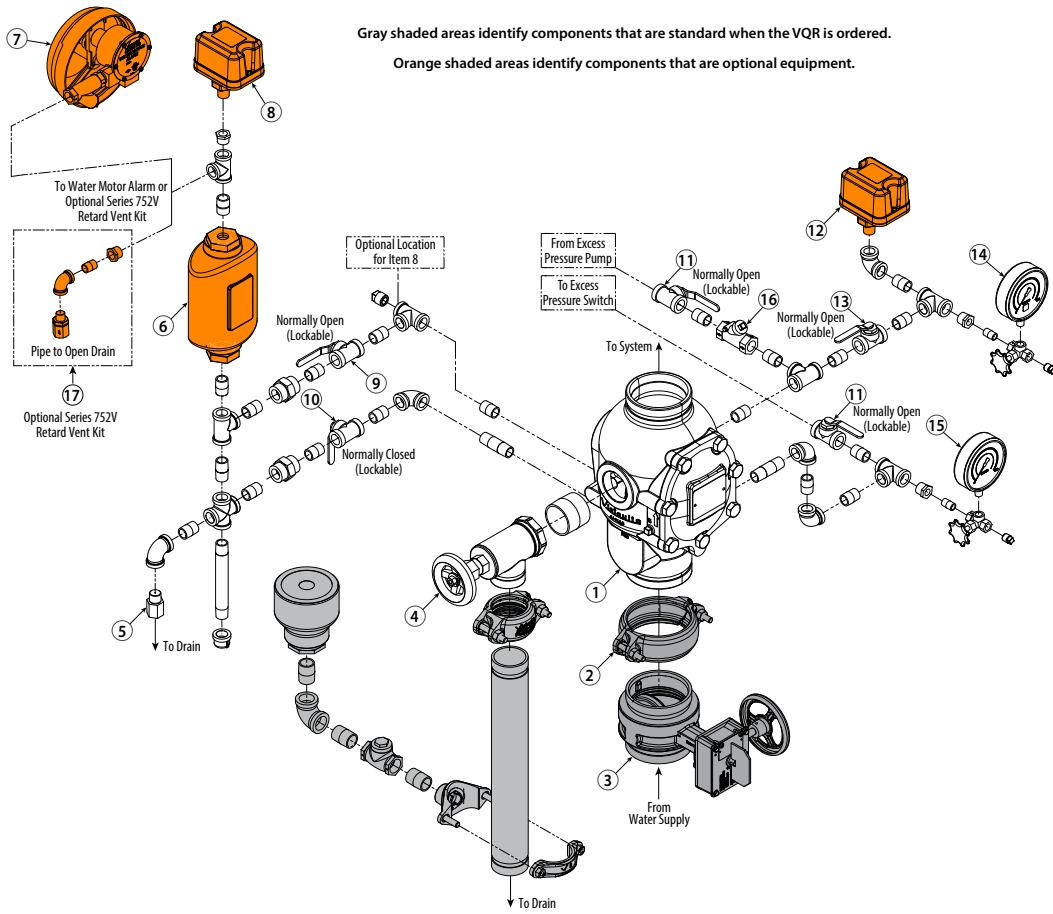
Item	Description	Item	Description
1	Series 751 <i>FireLock</i> Alarm Check Valve	8	Alarm Pressure Switch (Optional/Sold Separately)
2	<i>FireLock</i> Rigid Coupling (Optional/Sold Separately)	9	Alarm Line Ball Valve (Normally Open)
3	Water Supply Main Control Valve (Optional/Sold Separately)	10	Alarm Test Line Ball Valve (Normally Closed)
4	System Main Drain Valve	11	System Pressure Gauge/Gauge Valve Assembly (0-300 psi/0-2068 kPa)
5	Alarm Line Drain Restrictor (1/16-inch)	12	Water Supply Pressure Gauge/Gauge Valve Assembly (0-300 psi/0-2068 kPa)
6	Series 752 Retard Chamber Assembly (Optional/Sold Separately)	13	Swing Check Valve
7	Series 760 Water Motor Alarm Assembly (Optional/Sold Separately)	14	Series 752V Retard Vent Kit ¹ (Optional/Sold Separately)

¹ The Series 752V Retard Vent Kit is required any time an air break is needed above the Series 752 VdS Retarding Chamber Assembly. In addition, the Series 752V Retard Vent Kit is required if multiple valves are tied into one water motor alarm and a check valve isolates each line.

3.2 SPECIFICATIONS – MATERIAL

Standard Trim: cULus, FM, CCC version

Series 751 *FireLock* Alarm Check Valve Trim for Use with Excess Pressure Pump



Item	Description	Item	Description
1	Series 751 <i>FireLock</i> Alarm Check Valve	10	Alarm Test Line Ball Valve (Normally Closed)
2	<i>FireLock</i> Rigid Coupling (Optional/Sold Separately – Comes Standard when VQR Assembly is Ordered)	11	Excess Pressure Pump Isolation Ball Valve (Normally Open)
3	Water Supply Main Control Valve (Optional/Sold Separately – Comes Standard when VQR Assembly is Ordered)	12	Excess Pressure Pump Pressure Switch (Sold Separately/Not Provided by Victaulic)
4	System Main Drain Valve	13	Excess Pressure Pump Pressure Switch Isolation Ball Valve (Normally Open)
5	Alarm Line Drain Restrictor (1/16-inch)	14	System Pressure Gauge (0-300 psi/0-2068 kPa)
6	Series 752 Retard Chamber Assembly (Optional/Sold Separately)	15	Water Supply Pressure Gauge (0-300 psi/0-2068 kPa)
7	Series 760 Water Motor Alarm Assembly (Optional/Sold Separately)	16	Swing Check Valve
8	Alarm Pressure Switch (Optional/Sold Separately)	17	Series 752V Retard Vent Kit ¹ (Optional/Sold Separately)
9	Alarm Line Ball Valve (Normally Open)		

¹ The Series 752V Retard Vent Kit is required any time an air break is needed above the Series 752 VdS Retarding Chamber Assembly. In addition, the Series 752V Retard Vent Kit is required if multiple valves are tied into one water motor alarm and a check valve isolates each line.

3.2 SPECIFICATIONS – MATERIAL (CONTINUED)

Standard Trim Package

Optional Accessories (specify choice):

Series 752 Retard Chamber – Required when the Series 751 FireLock Alarm Check Valve is installed in a variable pressure installation in order to reduce the possibility of false alarms. (Refer to [30.01](#)).

Series 752V Retard Vent Kit – Required when an electric pressure switch is installed on the retard chamber without a water motor alarm.

Series 760 Water Motor Alarm – The Series 751 FireLock Alarm Check Valve is designed to activate a mechanical alarm when a sustained flow of water (such as an open sprinkler) causes the alarm check's clapper to lift from its seat. (Refer to [30.32](#)).

Alarm pressure switch – The Series 751 FireLock Alarm Check Valve is designed to allow the installation of pressure switches to activate electric alarms and control panels when a sustained flow of water (such as an open sprinkler) causes the alarm check's clapper to lift from its seat.

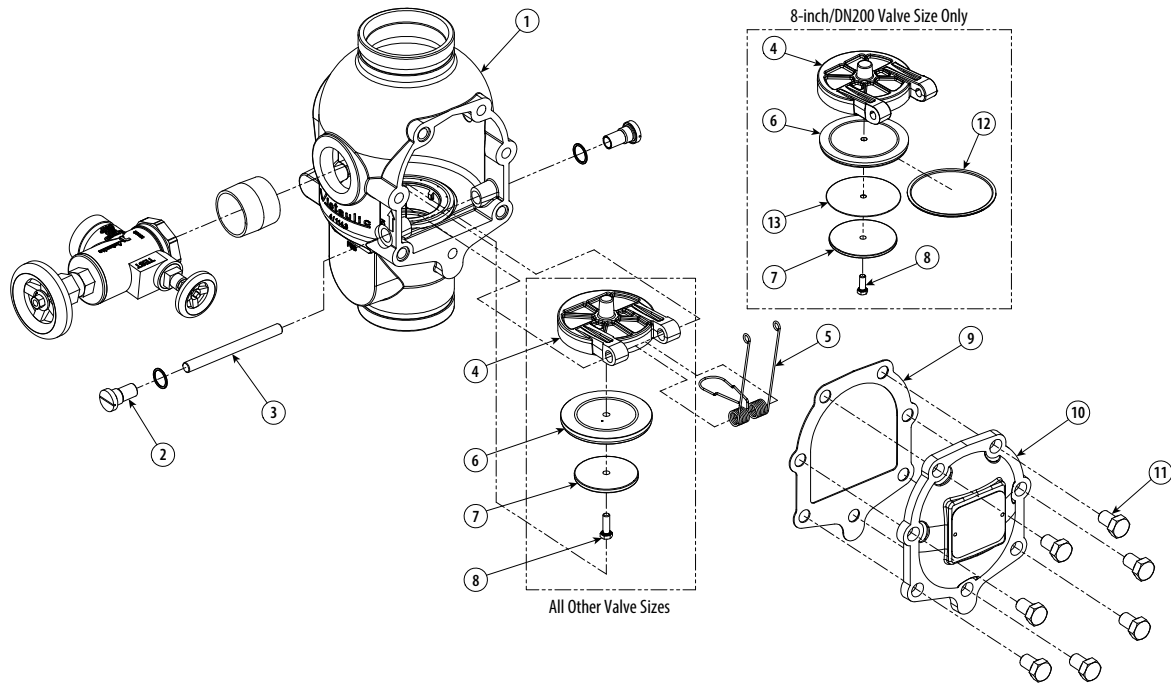
Waterflow Detectors – Waterflow detectors are available for installation on the riser.

Trim kit available for configuration with excess pressure pump.

3.3 SPECIFICATIONS – MATERIAL

Bill of Materials: European Base Valve

Series 751 *FireLock* Alarm Check Valve



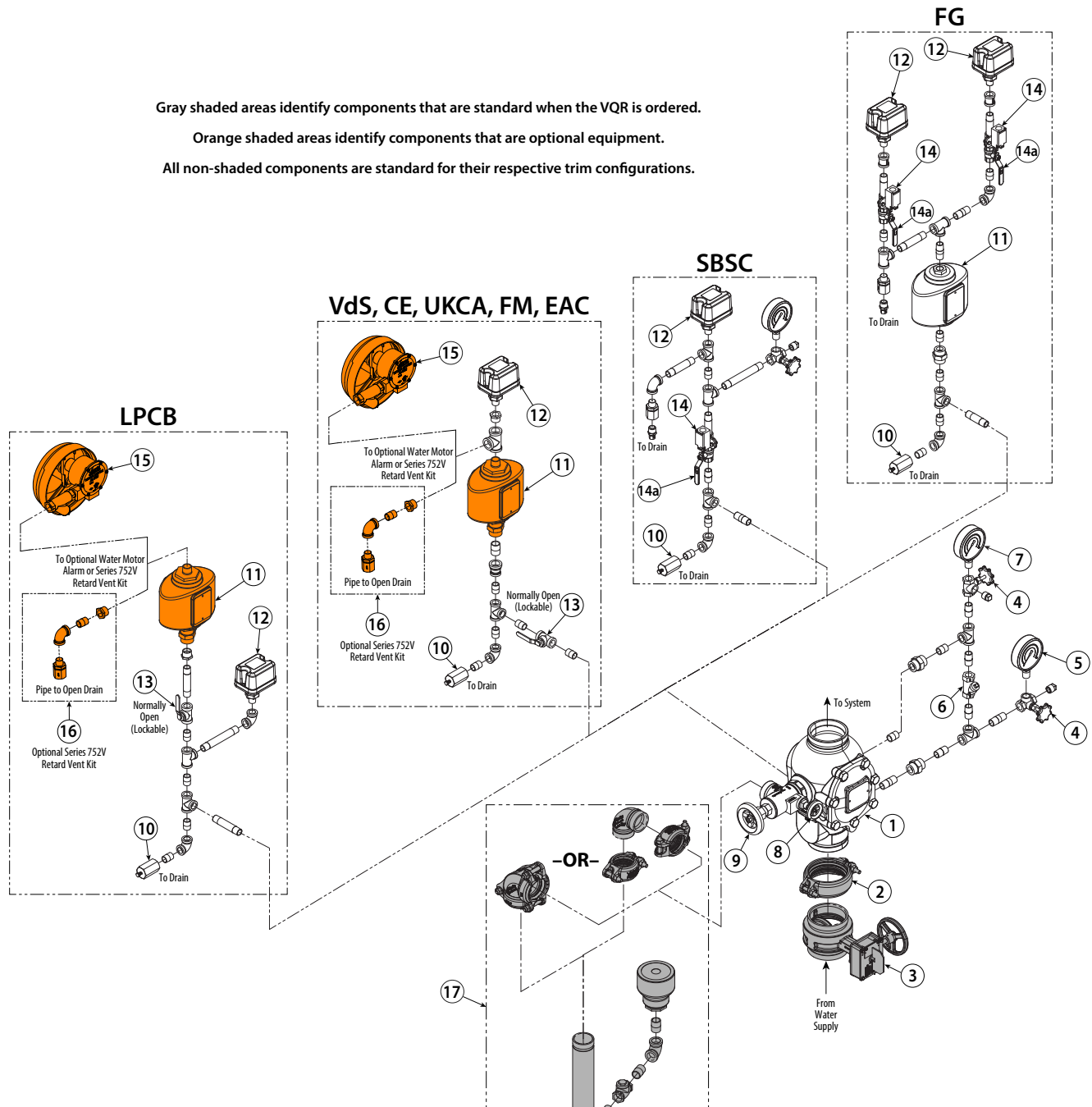
Item	Description	Item	Description
1	Valve Body	8	Screw, Self Sealing
2	Clapper Shaft Retaining Bushing	9	Cover Plate Gasket
3	Shaft	10	Cover Plate
4	Clapper	11	Cover Plate Bolt
5	Clapper Spring	12	Seal Ring
6	Clapper Seal	13	Seal Washer
7	Seal Plate		

3.4 SPECIFICATIONS – MATERIAL

European Trim: VdS, CE, UKCA, FM, EAC, LPCB, SBSC, FG

Series 751 *FireLock* Alarm Check Valve with Vertical Trim

Gray shaded areas identify components that are standard when the VQR is ordered.
 Orange shaded areas identify components that are optional equipment.
 All non-shaded components are standard for their respective trim configurations.



Item	Description	Item	Description
1	Series 751 <i>FireLock</i> European Alarm Check Valve	10	Restricted Orifice/Alarm Line Drain
2	<i>FireLock</i> Rigid Coupling ¹	11	Series 752 VdS Retarding Chamber
3	Water Supply Main Control Valve ¹	12	Alarm pressure switch
4	Gauge Valve	13	Alarm Line Ball Valve
5	Water Supply Pressure Gauge	14	Alarm Line Monitoring Limit Switch Assembly
6	Swing Check Valve	14a	Alarm Line Monitoring Ball Valve
7	System Pressure Gauge	15	Series 760 Water Motor Alarm
8	System Test Valve	16	Series 752V Retard Vent Kit ²
9	System Main Drain Valve	17	Drain Connection Kit

¹ The Series 752V Retard Vent Kit is required any time an air break is needed above the Series 752 VdS Retarding Chamber Assembly. In addition, the Series 752V Retard Vent Kit is required if multiple valves are tied into one water motor alarm and a check valve isolates each line.

3.4 SPECIFICATIONS – MATERIAL (CONTINUED)

Standard Trim Package

Optional Accessories (specify choice):

Series 752 Retard Chamber – Required when the Series 751 FireLock Alarm Check Valve is installed in a variable pressure installation in order to reduce the possibility of false alarms. (Refer to [30.01](#)).

Series 752V Retard Vent Kit – Required when an electric pressure switch is installed on the retard chamber without a water motor alarm.

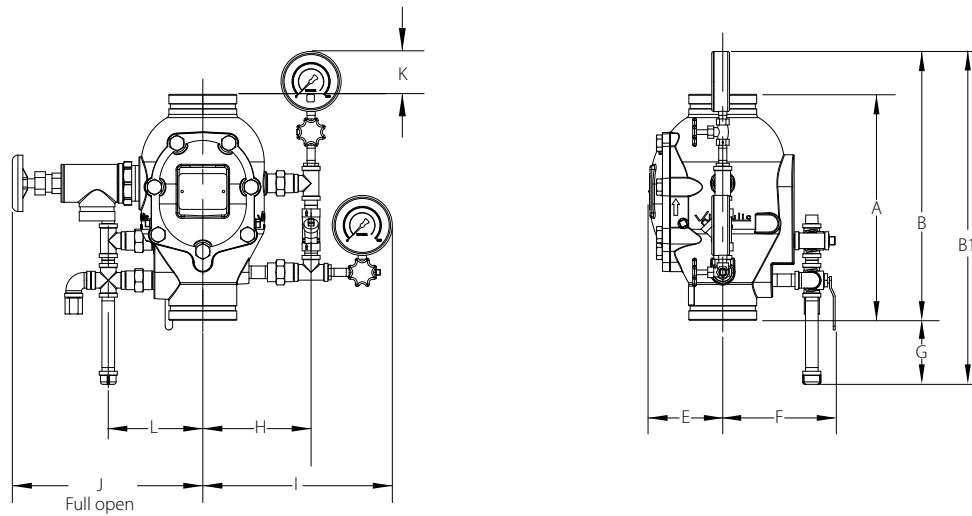
Series 760 Water Motor Alarm – The Series 751 FireLock Alarm Check Valve is designed to activate a mechanical alarm when a sustained flow of water (such as an open sprinkler) causes the alarm check's clapper to lift from its seat. (Refer to [30.32](#)).

Waterflow Detectors – Waterflow detectors are available for installation on the riser.

4.0 DIMENSIONS

Standard Trim Dimensions: cULus, FM, CCC Version

Standard trim and trim for use with excess pressure pump (without drain connection kit and water supply main control valve options).



NOTES

- The "A" dimension is the actual takeout dimension of the valve body.
- For systems with the optional Series 752 Retard Chamber Assembly, add 12 inches/305 mm to the "B" dimension to account for the additional height.

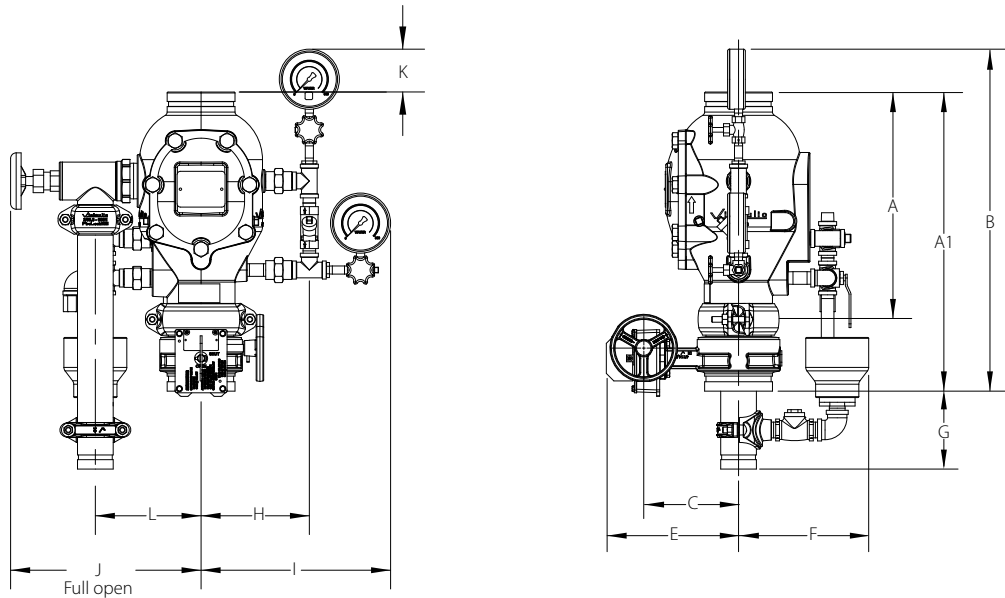
Size		Dimensions											Approx. Weight Each	
Nominal inches DN	Actual Outside Diameter inches mm	A inches mm	B inches mm	B1 inches mm	E inches mm	F inches mm	G inches mm	H inches mm	I inches mm	J inches mm	K inches mm	L inches mm	Without Trim lbs kg	With Trim lbs kg
1 1/2 DN40	1.900 48.3	9.00 229	10.75 271	17.88 453	3.25 83	8.00 201	7.13 181	6.13 156	9.88 250	10.00 254	1.75 45	6.38 160	13.0 5.9	31.0 14.0
2 DN50	2.375 60.3	9.00 229	10.75 271	17.88 453	3.25 83	8.13 204	7.13 181	6.13 156	9.88 250	10.00 254	1.75 45	6.38 160	13.0 5.9	31.0 14.0
2 1/2	2.875 73.0	12.63 321	12.50 317	19.25 488	4.38 111	7.13 179	6.75 172	6.72 171	11.00 279	11.25 285	-	7.13 178	32.0 14.5	53.0 24.0
DN65	3.000 76.1	12.63 321	12.50 317	19.25 488	4.38 111	7.13 179	6.75 172	6.72 171	11.00 279	11.25 285	-	7.13 178	33.0 15.0	54.0 24.5
3 DN80	3.500 88.9	12.63 321	12.50 317	19.25 488	4.38 111	7.13 179	6.75 172	6.72 171	11.00 279	11.25 285	-	7.13 178	33.0 15.0	54.0 24.5
4 DN100	4.500 114.3	15.13 382	18.00 455	22.25 563	4.88 124	7.50 190	4.25 108	7.21 184	12.63 321	14.13 358	2.88 73	6.38 160	55.0 25.0	77.0 35.0
	6.500 165.1	16.00 407	18.63 473	22.75 575	5.63 143	8.75 222	4.13 105	7.59 193	13.38 340	14.50 368	2.63 67	6.38 160	74.0 33.5	96.0 43.5
6 DN150	6.625 168.3	16.00 407	18.63 473	22.75 575	5.63 143	8.75 222	4.13 105	7.59 193	13.38 340	14.50 368	2.63 67	6.38 160	77.0 35.0	99.0 45.0
8 DN200	8.000 203.2	17.50 445	18.50 468	22.25 564	7.13 181	9.75 248	3.75 95	9.33 237	14.25 362	15.88 403	1.00 25	6.38 160	120.0 54.5	140.0 63.5

4.0 DIMENSIONS

Standard Trim Dimensions: cULus, FM, CCC Version

Standard trim and trim for use with excess pressure pump (with drain connection kit and water supply main control valve options).

A 4-inch/114.3 mm Series 751 FireLock Alarm Check Valve with optional drain connection kit and water supply main control valve is shown below.



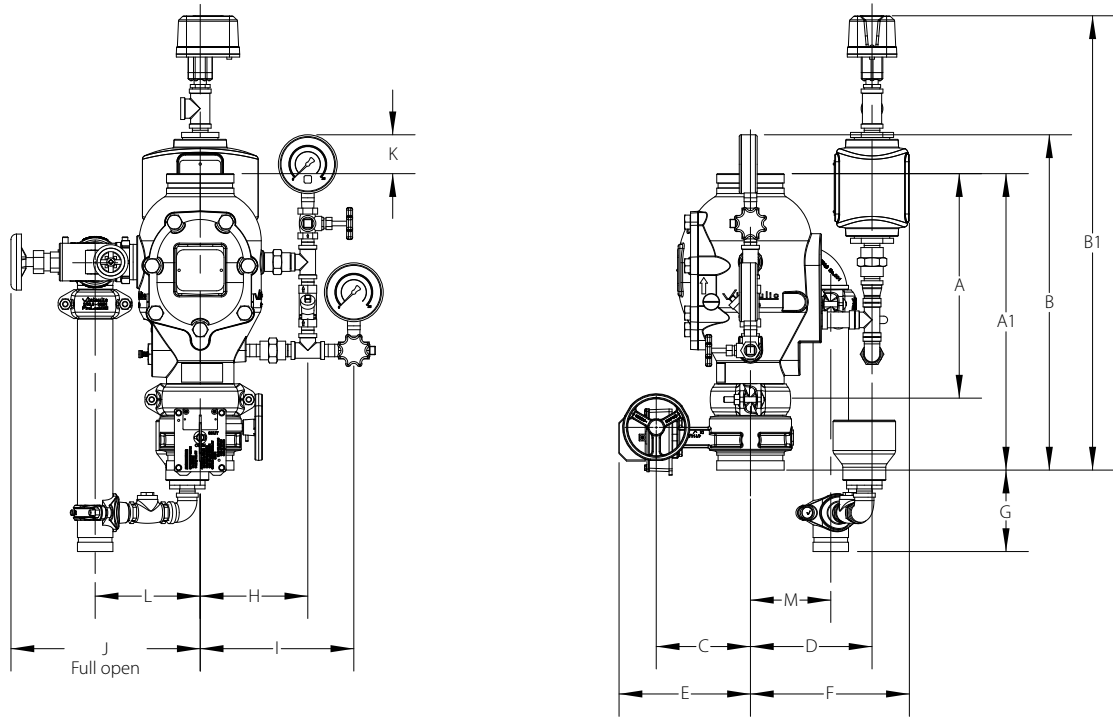
NOTES

- The "A" dimension is the actual takeout dimension of the valve body.
- The "A1" dimension is the actual takeout dimension of the valve body with optional water supply main control valve.
- For systems with the optional Series 752 Retard Chamber Assembly, add 12 inches/305 mm to the "B" dimension to account for the additional height. The "D" and "D1" dimensions are not fixed measurements. The drip cup of the drain connection kit option can be rotated to provide more clearance at the back of the trim.
- Components shown as dotted lines denote optional equipment.
- The recommended drain connection kit option (shaded in orange) is shown for reference and takeout dimensions.

Size		Dimensions												Approx. Weight Each	
Nominal	Actual Outside Diameter	A	A1	B	C	E	F	G	H	I	J	K	L	Without Trim	With Trim
inches DN	inches mm	inches mm	inches mm	inches mm	inches mm	inches mm	inches mm	inches mm	inches mm	inches mm	inches mm	inches mm	inches mm	lbs kg	lbs kg
1½ DN40	1.900 48.3	9.00 229	16.37 415.80	25.63 651	2.83 72	5.13 130	9.00 227	5.50 140	6.13 156	9.88 250	10.00 254	1.75 45	4.38 109	13.0 5.9	46.0 21.0
2 DN50	2.375 60.3	9.00 229	13.83 351.28	20.25 514	3.13 80	6.63 168	9.00 227	8.25 210	6.13 156	9.88 250	10.00 254	1.75 45	4.75 120	13.0 5.9	46.0 21.0
2½	2.875 73.0	12.63 321	16.51 419.35	20.63 524	5.38 137	7.25 184	8.38 211	9.25 235	6.72 171	11.00 279	11.25 285	-	6.25 158	32.0 14.5	75.0 34.0
DN65	3.000 76.1	12.63 321	16.51 419.35	20.63 524	5.38 137	7.25 184	8.38 211	9.25 235	6.72 171	11.00 279	11.25 285	-	6.25 158	33.0 15.0	77.0 35.0
3 DN80	3.500 88.9	12.63 321	16.51 419.35	20.63 524	5.50 140	7.25 184	8.38 211	9.25 235	6.72 171	11.00 279	11.25 285	-	6.25 158	33.0 15.0	77.0 35.0
4 DN100	4.500 114.3	15.13 382	19.85 504.19	27.75 705	6.31 161	8.88 226	8.63 219	8.00 203	7.21 184	12.63 321	14.13 358	2.88 73	7.13 179	55.0 25.0	110.0 50.0
	6.500 165.1	16.00 407	22.13 562.10	31.00 787	8.22 209	10.88 276	8.63 219	5.38 137	7.59 193	13.38 340	14.50 368	2.63 67	7.50 189	74.0 33.5	145.0 66.0
6 DN150	6.625 168.3	16.00 407	22.13 562.10	31.00 787	8.22 209	10.88 276	8.63 219	5.38 137	7.59 193	13.38 340	14.50 368	2.63 67	7.50 189	77.0 35.0	145.0 66.0
8 DN200	8.000 203.2	17.50 445	23.02 584.71	29.75 756	9.47 241	12.00 305	10.13 255	4.38 111	9.33 237	14.25 362	15.88 403	1.00 25	8.88 224	120.0 54.5	210.0 95.5

4.0 DIMENSIONS (CONTINUED)

European Trim Dimensions: VdS, CE, UKCA, FM, EAC Version



Size		Dimensions														Weight	
Nominal	Actual Outside Diameter	A ²	A1	B	B1	C	D	E	F	G	H	I	J	K	L	M	Approx. Each
inches	inches	inches	inches	inches	inches	inches	inches	inches	inches	inches	inches	inches	inches	inches	inches	inches	lbs
DN	mm	mm	mm	mm	mm	mm	mm	mm	mm	mm	mm	mm	mm	mm	mm	mm	kg
3	3.500	12.61	16.51	17.22	28.88	5.50	7.71	7.47	10.21	9.80	6.72	9.76	11.41	0.67	6.21	5.11	79.0
DN80	88.9	321	420	438	734	140	196	190	260	249	171	248	290	18	158	130	36.0
4	4.500	15.03	19.94	22.53	30.50	6.31	8.15	8.80	10.65	5.45	7.21	10.29	14.08	2.60	7.04	5.38	105.0
DN100	114.3	382	507	573	775	161	208	224	271	139	184	262	358	67	179	137	47.5
6	6.625	16.00	22.12	24.74	32.25	8.22	9.39	10.85	11.89	2.93	7.59	10.67	14.46	2.54	7.42	5.38	140.0
DN150	168.3	407	562	629	820	209	239	276	303	75	193	272	368	65	189	137	63.5
8	8.625	17.50	23.02	24.09	31.08	9.47	10.40	12.07	12.90	4.18	9.33	12.41	15.83	0.83	8.79	5.88	210.0
DN200	219.1	445	585	612	790	241	265	307	328	107	237	316	403	22	224	150	95.5

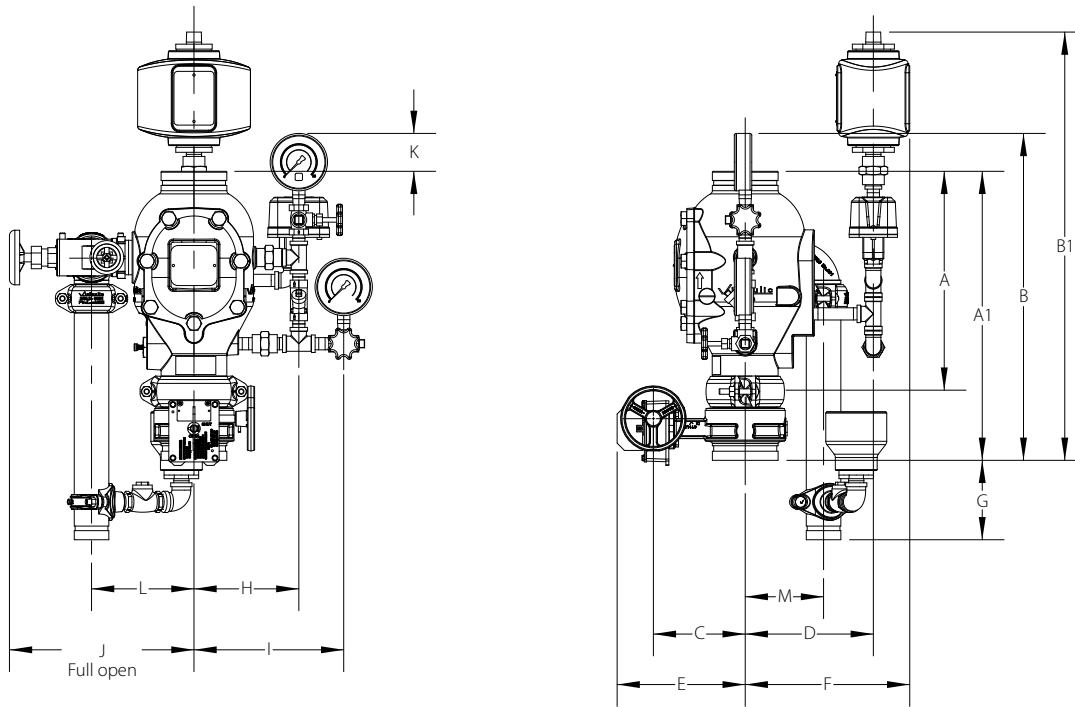
² The "A" dimension is the measurement from the top of the valve body to the bottom of the valve body (takeout dimension).

NOTE

- Overall height "B" is the greatest height if the optional Series 752 VdS Retarding Chamber Assembly is not installed.

4.0 DIMENSIONS (CONTINUED)

European Trim Dimensions: LPCB



Size		Dimensions															Weight	
Nominal	Actual Outside Diameter	A ²	A1	B	B1	C	D	E	F	G	H	I	J	K	L	M	Approx. Each	
inches	inches	inches	inches	inches	inches	inches	inches	inches	inches	inches	inches	inches	inches	inches	inches	inches	lbs	
DN	mm	mm	mm	mm	mm	mm	mm	mm	mm	mm	mm	mm	mm	mm	mm	mm	kg	
3	3.500	12.61	16.51	17.22	27.87	5.50	8.36	7.47	10.86	9.80	6.72	9.76	11.41	0.67	6.21	5.11	93.0	
DN80	88.9	321	420	438	708	140	213	190	276	249	171	248	290	18	158	130	42.0	
4	4.500	15.03	19.94	22.53	29.49	6.31	8.80	8.80	11.67	5.45	7.21	10.29	14.08	2.60	7.04	5.38	125.0	
DN100	114.3	382	507	573	749	161	224	224	297	139	184	262	358	67	179	137	56.5	
	6.500	16.00	22.12	24.74	31.24	8.22	10.04	10.85	12.54	2.93	7.59	10.67	14.46	2.54	7.42	5.38	165.0	
	165.1	407	562	629	794	209	256	276	319	75	193	272	368	65	189	137	75.0	
8	8.625	17.50	23.02	24.09	30.79	9.47	11.04	12.07	13.56	4.18	9.33	12.41	15.83	0.83	8.79	5.88	225.0	
DN200	219.1	445	585	612	783	241	281	307	345	107	237	316	403	22	224	150	102.0	

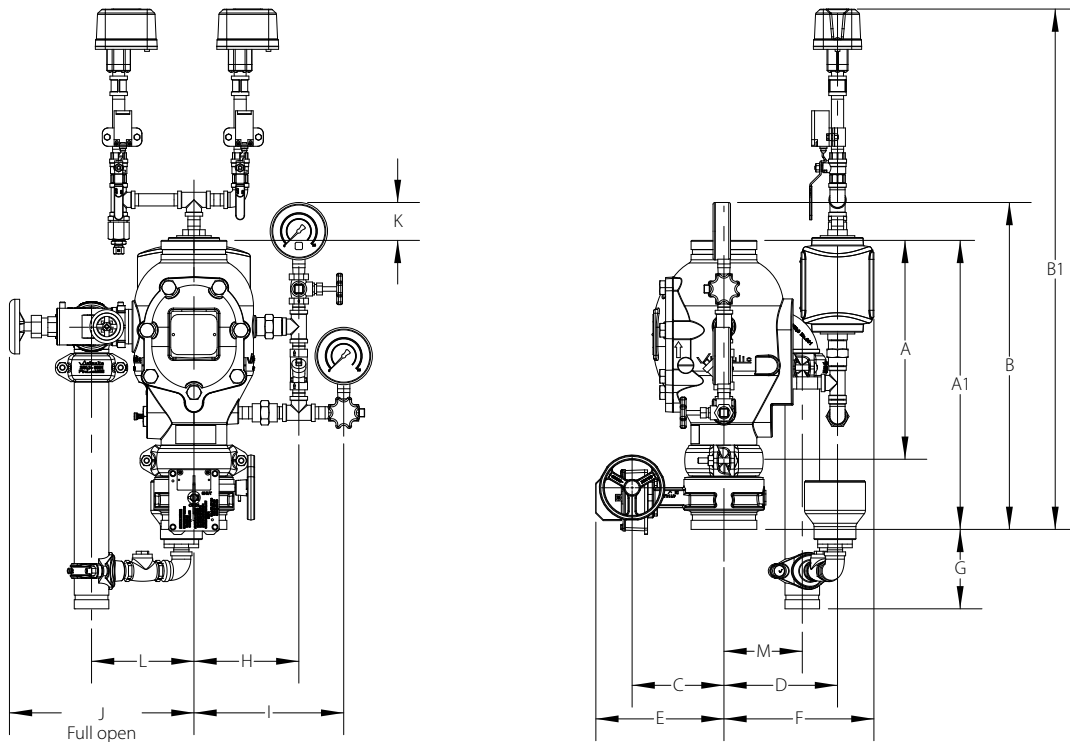
² The "A" dimension is the measurement from the top of the valve body to the bottom of the valve body (takeout dimension).

NOTE

- Overall height "B" is the greatest height if the optional Series 752 VdS Retarding Chamber Assembly is not installed.

4.0 DIMENSIONS (CONTINUED)

European Trim Dimensions: FG



Size		Dimensions															Weight
Nominal	Actual Outside Diameter	A ²	A1	B	B1	C	D	E	F	G	H	I	J	K	L	M	Approx. Each
inches	inches	inches	inches	inches	inches	inches	inches	inches	inches	inches	inches	inches	inches	inches	inches	inches	lbs
DN	mm	mm	mm	mm	mm	mm	mm	mm	mm	mm	mm	mm	mm	mm	mm	mm	kg
3	3.500	12.61	16.51	17.22	34.20	5.50	7.36	7.47	9.86	9.80	6.72	9.76	11.41	0.67	6.21	5.11	96.0
DN80	88.9	321	420	438	869	140	188	190	251	249	171	248	290	18	158	130	43.5
4	4.500	15.03	19.94	22.53	35.81	6.31	7.80	8.80	10.31	5.45	7.21	10.29	14.08	2.60	7.04	5.38	130.0
DN100	114.3	382	507	573	910	161	199	224	262	139	184	262	358	67	179	137	59.0
6	6.625	16.00	22.12	24.74	37.57	8.22	10.04	10.85	11.54	2.93	7.59	10.67	14.46	2.54	7.42	5.38	165.0
DN150	168.3	407	562	629	955	209	256	276	294	75	193	272	368	65	189	137	75.0
8	8.625	17.50	23.02	24.09	37.12	9.47	10.05	12.07	12.55	4.18	9.33	12.41	15.83	0.83	8.79	5.88	230.0
DN200	219.1	445	585	612	943	241	256	307	319	107	237	316	403	22	224	150	104.5

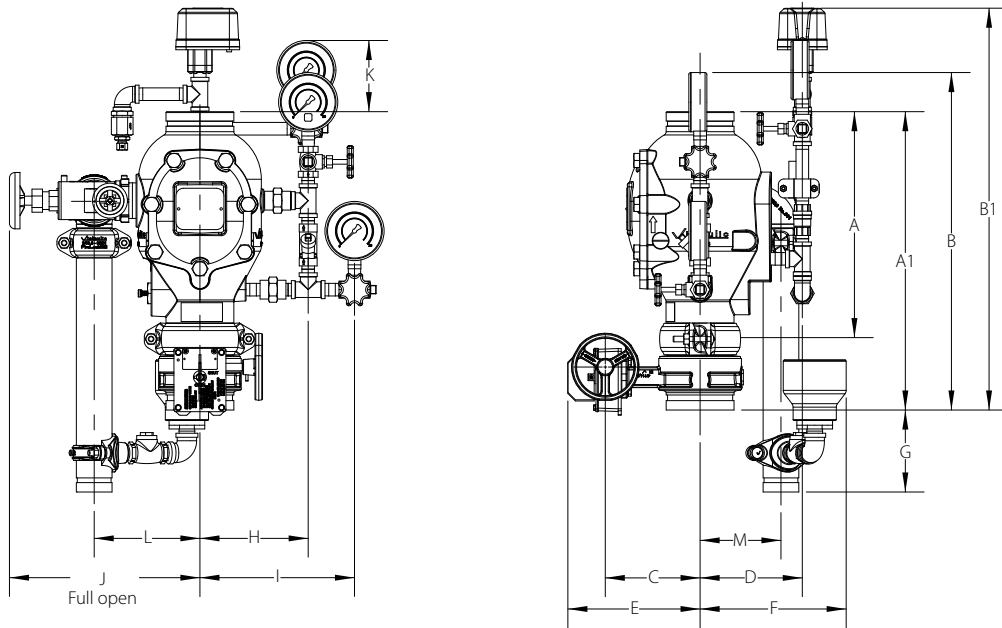
² The "A" dimension is the measurement from the top of the valve body to the bottom of the valve body (takeout dimension).

NOTE

- For FG trim, an additional coupling and water supply main control valve are available as an option for installation above the Series 751 FireLock European Alarm Check Valve (system side). The addition of this option will not affect the B1 dimension shown.

4.0 DIMENSIONS (CONTINUED)

European Trim Dimensions: SBSC



Size		Dimensions															Weight	
Nominal	Actual Outside Diameter	A ²	A1	B	B1	C	D	E	F	G	H	I	J	K	L	M	Approx. Each	
inches	inches	inches	inches	inches	inches	inches	inches	inches	inches	inches	inches	inches	inches	inches	inches	inches	lbs	
DN	mm	mm	mm	mm	mm	mm	mm	mm	mm	mm	mm	mm	mm	mm	mm	mm	kg	
3	3.500	12.61	16.51	17.22	25.19	5.50	6.36	7.47	9.33	9.80	6.72	9.76	11.41	6.50	6.21	5.11	85.0	
DN80	88.9	321	420	438	640	140	162	190	237	249	171	248	290	165	158	130	38.5	
4	4.500	15.03	19.94	22.53	26.81	6.31	6.80	8.80	9.72	5.45	7.21	10.29	14.08	4.72	7.04	5.38	115.0	
DN100	114.3	382	507	573	681	161	173	224	247	139	184	262	358	120	179	137	52.0	
6	6.625	16.00	22.12	24.74	28.56	8.22	8.04	10.85	9.72	2.93	7.59	10.67	14.46	4.22	7.42	5.38	155.0	
DN150	168.3	407	562	629	726	209	205	276	247	75	193	272	368	108	189	137	70.5	
8	8.625	17.50	23.02	24.09	28.12	9.47	9.05	12.07	10.22	4.18	9.33	12.41	15.83	2.71	8.79	5.88	220.0	
DN200	219.1	445	585	612	715	241	230	307	260	107	237	316	403	69	224	150	100.0	

² The "A" dimension is the measurement from the top of the valve body to the bottom of the valve body (takeout dimension).

NOTE

- For SBSC trim, an additional coupling and water supply main control valve are available as an option for installation above the Series 751 FireLock European Alarm Check Valve (system side). The addition of this option will not affect the B1 dimension shown.

5.0 PERFORMANCE

Standard Trim: cULus, FM, CCC Version

Frictional Resistance

The chart below expresses the frictional resistance of Series 751 *FireLock* Alarm Check Valve in equivalent feet of straight pipe.

Nominal Size inches DN	Actual Outside Diameter inches mm	Equivalent Length of Pipe feet meters
1 ½ DN40	1.900 48.3	3.00 0.910
2 DN50	2.875 60.3	9.00 2.740
2 ½	2.875 73.0	8.00 2.438
DN65	3.000 76.1	8.00 2.438
3 DN80	3.500 88.9	17.00 5.182
4 DN100	4.500 114.3	21.00 6.401
	6.500 165.1	22.00 6.706
6 DN150	6.625 168.3	22.00 6.706
8 DN200	8.625 219.1	50.00 15.240

European Trim: VdS, CE, UKCA, FM, EAC, LPCB, SBSC, FG

Frictional Resistance

The chart below expresses the frictional resistance of Series 751 *FireLock* Alarm Check Valve in equivalent meters of straight pipe.

Size		Flow Data
inches DN	Actual Outside Diameter inches mm	Frictional Resistance meters feet
3 DN80	3.500 88.9	5.182 17.00
4 DN100	4.500 114.3	6.401 21.00
	6.500 165.1	6.706 22.00
6 DN150	6.625 168.3	6.706 22.00
8 DN200	8.625 219.1	15.240 50.00

5.0 PERFORMANCE (CONTINUED)

Maximum Working Pressure

Standard Trim:


Size		cULus	FM	CCC
Nominal inches DN	Actual Outside Diameter inches DN	psi kPa bar	psi kPa bar	psi kPa bar
1 ½ DN40	1.900 48.3	300 2068 21	300 2068 21	–
2 DN50	2.375 60.3	300 2068 21	300 2068 21	–
2 ½	2.875 73.0	300 2068 21	300 2068 21	–
DN65	3.000 76.1	300 2068 21	300 2068 21	–
3 DN80	3.500 88.9	300 2068 21	300 2068 21	232 1600 16
4 DN100	4.500 114.3	300 2068 21	300 2068 21	232 1600 16
	6.500 165.1	300 2068 21	300 2068 21	232 1600 16
6 DN150	6.625 168.3	300 2068 21	300 2068 21	232 1600 16
8 DN200	8.625 219.1	232 1600 16	232 1600 16	232 1600 16

European Trim:

Size		VdS, CE, UKCA, FM, EAC, LPCB, SBSC, FG
Nominal inches DN	Actual Outside Diameter inches DN	psi kPa bar
3 DN80	3.500 88.9	232 1600 16
4 DN100	4.500 114.3	232 1600 16
	6.500 165.1	232 1600 16
6 DN150	6.625 168.3	232 1600 16
8 DN200	8.625 219.1	232 1600 16

6.0 NOTIFICATIONS

⚠ WARNING



- Read and understand all instructions before attempting to install any Victaulic products.
- Always verify that the piping system has been completely depressurized and drained immediately prior to installation, removal, adjustment, or maintenance of any Victaulic products.
- Wear safety glasses, hardhat, and foot protection.

Failure to follow these instructions could result in death or serious personal injury and property damage.

- These products shall be used only in fire protection systems that are designed and installed in accordance with current, applicable National Fire Protection Association (NFPA 13, 13D, 13R, etc.) standards, or equivalent standards, and in accordance with applicable building and fire codes. These standards and codes contain important information regarding protection of systems from freezing temperatures, corrosion, mechanical damage, etc.
- The installer shall understand the use of this product and why it was specified for the particular application.
- The installer shall understand common industry safety standards and potential consequences of improper product installation.
- It is the system designer's responsibility to verify suitability of materials for use with the intended fluid media within the piping system and external environment.
- The material specifier shall evaluate the effect of chemical composition, pH level, operating temperature, chloride level, oxygen level, and flow rate on materials to confirm system life will be acceptable for the intended service.

Failure to follow installation requirements and local and national codes and standards could compromise system integrity or cause system failure, resulting in death or serious personal injury and property damage.

7.0 REFERENCES

- [10.64: Style 009N Firelock EZ™ Rigid Coupling](#)
- [10.81: Firelock™ Butterfly Valve with Weatherproof Actuator Series 705 Submittal](#)
- [I-751: Firelock™ Alarm Check Valve Series 751 Installation, Maintenance, and Testing Manual](#)
- [I-751-NXT.KIT: Firelock™ European Fire Protection Valves Series 751,764,768 and 769 Alarm Kit Trim Instructions \(Europe Only\)](#)
- [I-751.PST: Firelock™ Alarm Check Valve Series 751 Installation Poster](#)
- [I-751.VDS: Firelock™ European Alarm Check Valve Stations Series 751 Installation, Maintenance, and Testing Manual](#)
- [I-751-VDS-ADD: Firelock™ European Alarm Check Valve Station \(VDS\) Series 751 Wall Chart for Placing the System in Service](#)
- [I-751.VDS-KIT: Firelock™ European Alarm Check Valve Stations Series 751 Kit Installation Instructions](#)
- [I-760: Firelock™ Water Motor Alarm Series 760 Installation Manual](#)

User Responsibility for Product Selection and Suitability

Each user bears final responsibility for making a determination as to the suitability of Victaulic products for a particular end-use application, in accordance with industry standards and project specifications, and the applicable building codes and related regulations as well as Victaulic performance, maintenance, safety, and warning instructions. Nothing in this or any other document, nor any verbal recommendation, advice, or opinion from any Victaulic employee, shall be deemed to alter, vary, supersede, or waive any provision of Victaulic Company's standard conditions of sale, installation guide, or this disclaimer.

Intellectual Property Rights

No statement contained herein concerning a possible or suggested use of any material, product, service, or design is intended, or should be construed, to grant any license under any patent or other intellectual property right of Victaulic or any of its subsidiaries or affiliates covering such use or design, or as a recommendation for the use of such material, product, service, or design in the infringement of any patent or other intellectual property right. The terms "Patented" or "Patent Pending" refer to design or utility patents or patent applications for articles and/or methods of use in the United States and/or other countries.

Note

This product shall be manufactured by Victaulic or to Victaulic specifications. All products to be installed in accordance with current Victaulic installation/assembly instructions. Victaulic reserves the right to change product specifications, designs and standard equipment without notice and without incurring obligations.

Installation

Reference should always be made to the Victaulic installation handbook or installation instructions of the product you are installing. Handbooks are included with each shipment of Victaulic products, providing complete installation and assembly data, and are available in PDF format on WeChat.

Warranty

Refer to the Warranty section of the current Price List or contact Victaulic for details.

Trademarks

Victaulic and all other Victaulic marks are the trademarks or registered trademarks of Victaulic Company, and/or its affiliated entities, in the U.S. and/or other countries.